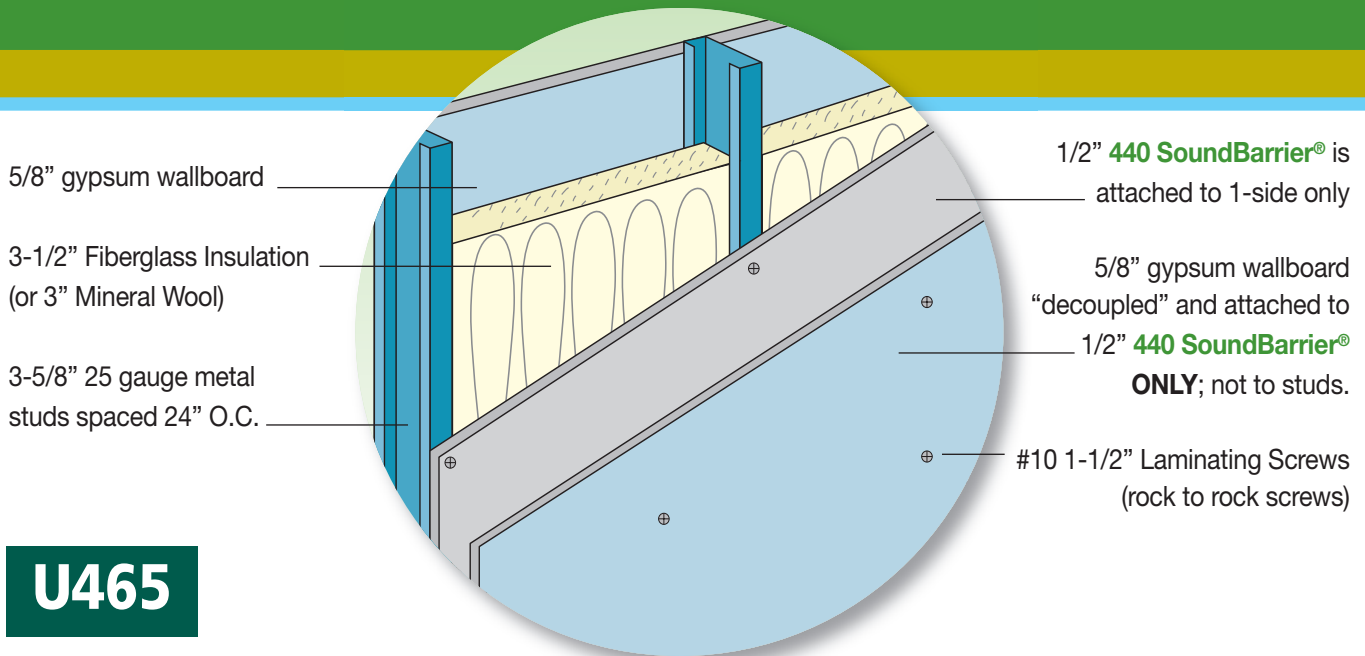


# STC 55

A wall with an STC rating of 50 is generally considered good, while a wall with an STC 55 or higher is considered excellent.\*

ECONOMICAL • GREEN



**U465**

\* A similar wall with 2 layers of our competition's product† achieves an STC rating of 49, while a **single layer of Homasote 440 SoundBarrier® achieves an STC rating of 55.**

† empty cavity, no published tests with insulation  
\*\* Test method ASTM E90

- Ideal for use in:**
- Multi-family
  - Hotels
  - Offices
  - Schools



Sensible. Sound.  
Solutions.



The mark of responsible forestry



# Why use anything else?

## Control sound in your walls, floors and ceilings!

**440 SoundBarrier®** also provides the world's best floor and wall protection.

Made from **98% recycled content (high post consumer content)**; it is FSC Approved, CHPS Approved and can help contribute towards credits in U.S. Green Building Council (USGBC) LEED categories.

**Requires accessing only 1-side of the wall to achieve STC 55 in renovation work!**

### STC Ratings

- 60** Superior Soundproofing: most sounds inaudible
- 55** "EXCELLENT"
- 50** Loud Speech Barely Heard (music can be heard)
- 45** Some Loud Speech Heard; Not Understood
- 30** Loud Speech Fairly Well Understood
- 25** Speech Heard Through Walls or Floors

### Changes in STC Rating

- +/- 1 Almost Perceptable
- +/- 3 Just Perceptable
- +/- 5 **CLEARLY PERCEPTABLE**
- +/- 10 Twice (or Half) as Loud

**Save Money. Save Time.**



*Sensible. Sound.  
Solutions.*

800-257-9491 • Technical Support call Ext. 1332 or e-mail [techhelp@homasote.com](mailto:techhelp@homasote.com)

[www.homasote.com](http://www.homasote.com)

See our Installation Highlight Sheet for walls or our full Installation Instructions at our website.