

44 SoundBarrier®

International Building Code (IBC) Calls for minimum Sound Transmission Class (STC) and Insulation Impact Class (IIC) Ratings of 50

UL®-listed wall and floor assemblies • ICC-ES ESR-1374

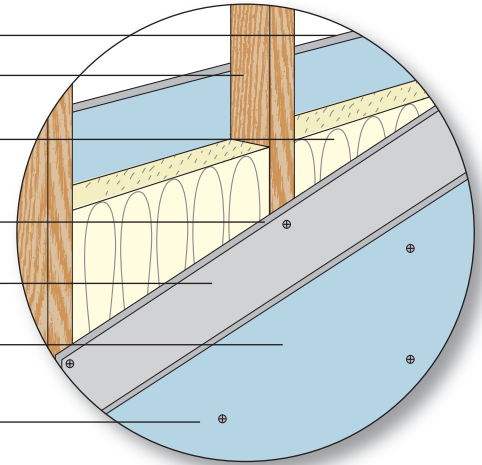
Less Material, Less Labor, Better Results!

Superior Sound Control For Both
Metal and Wood Stud Walls In:

- Multi-family residential
- Hospitals
- Dormitories
- Hotels
- Home theatres

STC 53

- 5/8" Type C gypsum wallboard
- 2" x 4" wood studs spaced 16" O.C.
- 3" Mineral Wool Insulation (STC 52 with 3-1/2" Fiberglass)
- #6 coarse thread Drywall screw into the stud
- 1/2" 440 SoundBarrier® is attached to 1-side only
- 5/8" Type C gypsum wallboard "decoupled" and attached to 1/2" 440 SoundBarrier® only; not to studs.
- #10 1-1/2" Laminating Screws (rock to rock screws)

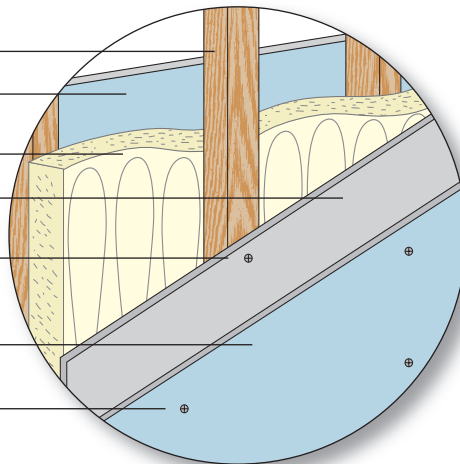


U305

24" O.C. U309

STC 53

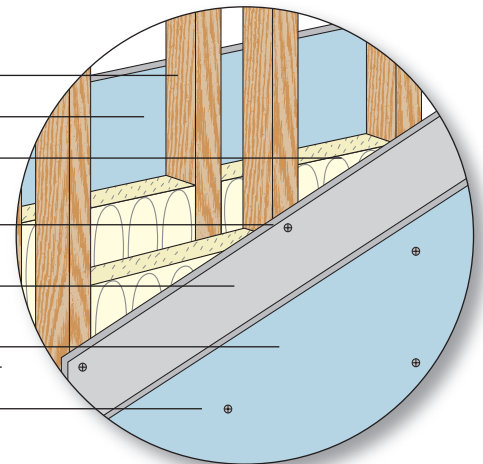
- 2" x 4" staggered wood studs spaced 24" O.C.
- 5/8" Type C gypsum wallboard
- 3-1/2" Fiberglass Insulation
- 1/2" 440 SoundBarrier® is attached to 1-side only
- #6 coarse thread Drywall screw into the stud
- 5/8" Type C gypsum wallboard "decoupled" and attached to 1/2" 440 SoundBarrier® only; not to studs.
- #10 1-1/2" Laminating Screws (rock to rock screws)



U340

STC 60

- 2" x 4" double wood studs spaced 16" O.C.
- 5/8" Type X gypsum wallboard
- 3" Mineral Wool
- #6 coarse thread Drywall screw into the stud
- 1/2" 440 SoundBarrier® is attached to 1-side only
- 5/8" Type X gypsum wallboard "decoupled" and attached to 1/2" 440 SoundBarrier® only; not to studs.
- #10 1-1/2" Laminating Screws (rock to rock screws)



U341

BEARING WALL

HOMASOTE®

Sensible. Sound. Solutions.

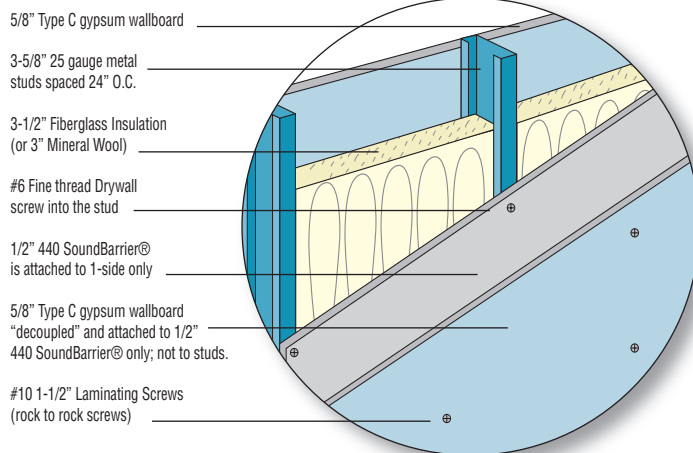


The mark of responsible forestry

www.homasote.com

440 SoundBarrier®

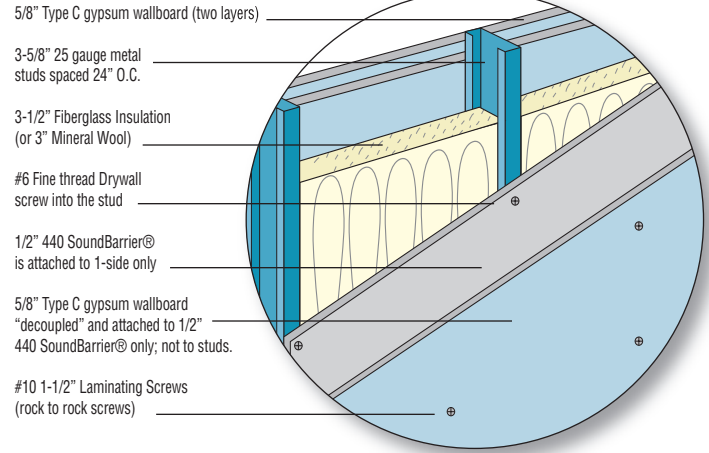
STC 55



U465

STC 54 16" O.C.

STC 58



U465

Superior Sound Control ratings in both 16" and 24" on center walls. 440 SoundBarrier has one of the lowest installed costs in its class; ideal for renovation work because it requires access to only one-side of wall.

The need for Sound Control in multi-family residential and commercial construction is growing.

- According to the American Institute of Architects (AIA), litigation over inadequate sound mitigation is the number two driver of construction lawsuits.
- Noise is the number one complaint of Hotel Guests according to a 2011 JD Power and Associates Survey.

440 SoundBarrier® is One Conventional, High-Performance, Green Product That Lasts in Walls, Floors and Ceilings.

Contractors can pull and install the same board for multiple applications in the same space for maximum efficiency.

1/2 Inch Panels:

- Strong and Lightweight (1.2 lbs. per sq. ft.)
- Easily Installed
- Moisture and mold-resistant
- Thermally Insulating
- 98% Recycled Content (High Post-Consumer)

See Installation Section of Website for Construction Details

HOMASOTE®

Sensible. Sound. Solutions.

800-257-9491 • Technical Support call Ext. 1332 or e-mail techhelp@homasote.com

www.homasote.com